

Features & Options

- Stainless Steel Wall Plate
- Rotary Setpoint Adjustment
- Occupant Override Pushbutton (optional)
- 3.5 mm Communication Jack (optional)
- Pressure Pickup Port (optional)
- Wide Selection of Temperature Sensing Elements
- Limited Lifetime Warranty

Rotary Setpoint & Legend

The Rotary Setpoint is a linear adjustment that comes in various ranges, and is available as reverse or direct acting. A Setpoint Legend can be imprinted on the face of the Wall Plate. The standard legends is “-” to “+”. Custom legends are also available, please call BAPI for details.

Override Pushbutton

The optional Override is a discreet momentary signal that can be configured to be compatible with any controller. It is available in three styles — Standard, Durable or Low Profile (with or without an LED override indicator). All Low Profile pushbuttons are water resistant for washdown/wipedown cleaning.

Communication Jack

An optional 3.5 mm phono plug style comm. jack is also available.

Pressure Pickup Port

An optional Pressure Pickup Port is also available. The brass fitting on the back accommodates 1/8” to 5/32” tubing.

Note: Choosing two or more options in addition to the Rotary Setpoint requires a doublegang enclosure.

*All Passive Thermistors 20KΩ and smaller are CE compliant.

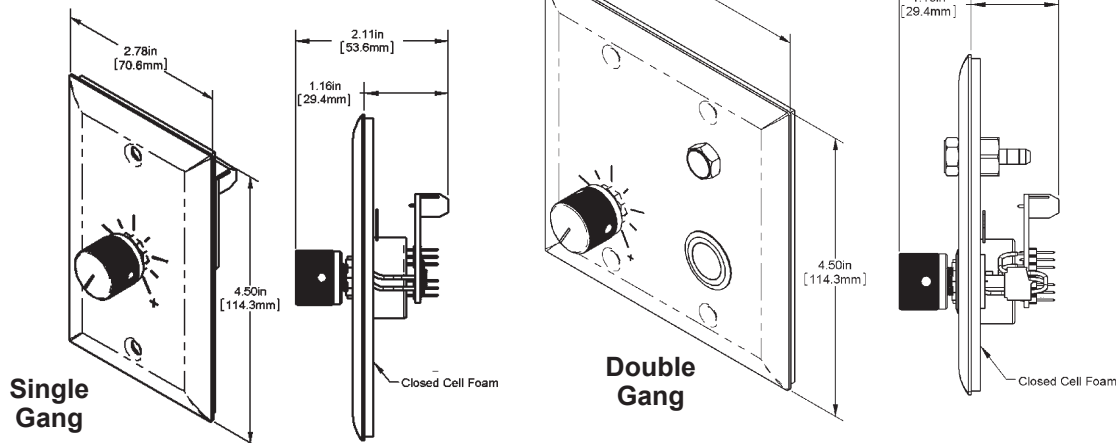
Specifications

Material: Stainless Steel

Environmental Operation Range:

Temp: -20 to 60 °C

Humidity: 0 to 95%, non-condensing



Wall Plate with Rotary Setpoint

A33

Temperature Sensors

04/27/15



Ordering Information		Wall Plate with Rotary Setpoint	
BA/			
Sensor Type (Required) Use the designator number (shown to the left in bold) to indicate the sensor			
#	THERMISTORS		RTDs
	1.8K 1.8K Ω @ 25 °C 3K 3K Ω @ 25 °C 3.25K 3.25K Ω @ 25 °C (T30 type) 3.3K 3.3K Ω @ 25 °C 10K-2 10K Ω @ 25 °C 10K-3 10K Ω @ 25 °C 10K-3[11K] 5,238 Ω @ 25 °C 20K 20K Ω @ 25 °C 50K 50K Ω @ 25 °C 100K 100K Ω @ 25 °C	1K[375] 1K Ω Platinum @ 0 °C, 3.75 Ω /°C temp. coeff. 1K[Ni] 1K Ω Nickel @ 21°C, 5 Ω /°C temp. coeff. 1K 1K Ω Platinum @ 0 °C, 3.85 Ω /°C temp. coeff. 2K 2K Ω Silicon @ 20 °C, 8 Ω /°C temp. coeff.	
		SEMICONDUCTORS	
		592 AD592 Semiconductor, 273 μ A @ 0 °C	
Enclosure Configuration (Required)			
-SP		Stainless Steel Wall Plate	
Setpoint (Required) Must select Legend and Range			
#	SETPOINT LEGEND (insert Designator #)		
	Legend Range	Designator	
	+/-	Z	
Other Setpoint Legends are Available, call BAPI for details.			
SETPOINT OUTPUT VALUE RANGE (insert Designator #)			
	Desired Range	Designator	Desired Range
	0 to 5 Volts*	00	2 k to 3 k Ω
	1 to 5 Volts*	01	10 k to 11 k Ω
	3.7 to .85 Volts*	02	12.5 k to 11.5 k Ω
	5 to 0 Volts*	03	1000 to 0 Ω
	4.2 to 1.2 Volts*	04	0 to 10 k Ω
	2.75 to 3.34 V*	05	15 k to 5 k Ω
	0 to 10 Volts*	10	1 k to 11 k Ω
	674 to 274 Ω	23	0 to 20 k Ω
	800 to 1200 Ω	25	4.75 k to 24.75 k Ω
	909 to 1309 Ω	26	6.19 k to 26.19 k Ω
	1800 to 2200 Ω	27	7.87 k to 27.87 k Ω
	0 to 1000 Ω	40	10 k to 30 k Ω
Optional Override Pushbutton Style Skip if not required			
	-O	Standard Pushbutton Override Switch	
	-O1	Durable Style Pushbutton Override	
	-O2	Low Profile Style Pushbutton Override	
	-O2G5	Low Profile Pushbutton Override, Green LED, 5 VDC**	
	-O2G24	Low Profile Pushbutton Override, Green LED, 24 VDC or VAC**	
	-O2R5	Low Profile Pushbutton Override, RED LED, 5 VDC**	
	-O2R24	Low Profile Pushbutton Override, RED LED, 24 VDC or VAC**	
	-OWD	Washdown Keyswitch, NO & NC	
Override Configuration (Required)			
	-J	Override as a Separate Input	
	-N	Override in Parallel (//) with Sensor	
	-P	Override in Parallel (//) with Setpoint	
	-Z	No Override	
Optional Communication Jack Skip if not required			
	-C35	3.5 mm Phono Style Jack	
Optional Pressure Pickup Skip if not required			
	-P01	Pressure Pickup Port	
Doublegang Enclosure (Required if two or more options are selected in addition to the rotary setpoint)			
	-DBG	Doublegang Enclosure	
Connection Configuration (Required)			
	-CG	Common Ground	
	-DF	Differential Inputs	
Optional Security Screws			
	-SEC1	Spanner Security Screws	
EXAMPLE			
BA/	10K-2	-SP	Z25
		-O2	-J
			-C35
			-CG
Example Part Number: BA/10K-2-SPZ25-O2-J-C35-CG			
Your Part Number:			

Call BAPI if you have questions about the above ordering/pricing grid or the configuration of the product you are ordering.

*For voltage output options: 5 VDC must be supplied for outputs of 5 VDC and below and 10 VDC must be supplied for the 0 to 10 VDC output.

**Voltage to power LED indicator (5 VDC or 24 VDC or VAC) must come from the controller or other external source.